

ORCAM READ

User Manual

English

© 2020 OrCam Technologies Ltd. All rights reserved.

OrCam® is the trademark and brand name of OrCam Technologies Ltd. (“OrCam”) and OrCam is the sole proprietor of all the rights and all the intellectual property rights in this guide and/or any other document produced by OrCam relating thereto. The documents are protected by applicable intellectual property laws including and without limitation copyrights, patents, design patents, trademarks, **know-how**, trade secrets, and international treaties. No license or rights are hereby transferred to the user of this guide and said guide shall remain the sole and exclusive property of OrCam. No part of this guide shall be used, reproduced, translated, converted, modified, adapted, displayed, stored in a retrieval system, communicated, or transmitted by any means, for any commercial purpose, including and without limitation, sale, resale, distribution, reproduction, license, rental, or lease without receiving written permission from OrCam.

A list of OrCam’s patents can be found in <https://www.orcam.com/en/patents/>.

OrCam makes no expressed or implied representation or warranty as to the accuracy or completeness of the contents of this guide, which is provided “as is”, and assumes no responsibility or liability for any errors or inaccuracies that may appear in this document or for any product that may be provided in association with this document.

OrCam devices are intended to enhance the day-to-day lives of individuals with visual impairments. They are not substitutes for existing methods or forms of assistance and should not be relied upon in circumstances that are potentially life- or health-threatening or that could lead to financial loss. OrCam devices should especially never be relied upon to drive vehicles or operate heavy machinery of any kind. Please refer to the OrCam website for additional safety information: www.orcam.com/safety.

To contact OrCam Support, please email support@orcam.com.

For the online user manual and tutorial videos, **or tips**, advice, and troubleshooting support, visit www.orcam.com/user-area.

Corporate Headquarters

OrCam Technologies
5 Kiryat HaMada St.
Jerusalem 9777513
Israel
+972.2.591.7800

United States and Canada

OrCam Inc.
1115 Broadway, 11th floor
New York, NY 10010
1.800.713.3741

United Kingdom

OrCam UK.
60 Gresham Street
London EC2V 7BB
0800.358.5323

Germany

OrCam GmbH
Gustav-Heinemann-Ufer 58
50968 Cologne

+49 (0) 211 540 138 11

China

OrCam Shanghai Technology Consulting Co., Ltd.

奥看（上海）技术咨询有限公司

1277 W. Beijing Road

Guolv Building 3/F,

Jing'an Shanghai

+8618621553619

Print Date: OrCam Read, Software Version 9.8-EN, **November** 2020

Table of Contents

Get Started.	4
What's in the Box.	4
Parts and Buttons.	4
Charging OrCam Read.	5
Get Familiar with OrCam Read.	5
Power Button.	5
Turn on Your OrCam Read.	5
Turn off Your OrCam Read.	6
Enter Suspend Mode.	6
Exit Suspend Mode.	6
Automatic Suspend and Power off.	6
Enter Audio Settings Menu.	6
Trigger Button.	6
Volume Buttons.	7
LED Indicators.	7
Connect to WiFi and Software Update.	7
Bluetooth Connectivity.	8
Features.	9
Reading with OrCam Read.	9
OrCam Please Commands.	10
Vocal Commands.	11
Smart Reading.	13
Set Zone and Time.	15
Tell the Time and Date.	15
Tips.	16
Settings.	16
Mobile App.	20
Installation.	20
Pairing.	20
App Usage.	20
Terms and Conditions.	21

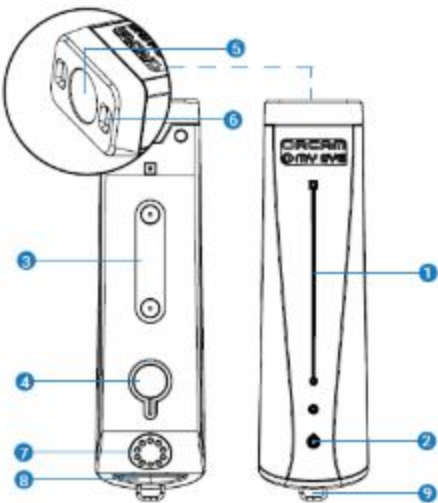
Privacy.	21
Warranty.	22
Refund Policy.	23
FCC Compliance.	24
Safety and Warnings.	25

Get Started.

What's in the Box.

- OrCam Read device
- User Guide
- Charging cable
- Charger box
- Wired earphones
- Cleaning cloth
- Lanyard

Parts and Buttons.



1. Camera with flash and laser indicators
2. Trigger button
3. Volume buttons
4. Power indicator lights
5. Power button

6. Charging outlet (Type C)
7. Eyelet loop
8. Audio outlet (AUX)

Charging OrCam Read.

Before turning on the device for the first time, OrCam recommends charging the device for at least three hours. For all subsequent charges, OrCam Read fully charges in 90-120 minutes. OrCam recommends using only the original OrCam charger provided.

To charge OrCam Read:

1. Insert the **charging** cable into the type C inlet of OrCam Read.
2. Plug the USB end **of the charging cable** into the charger **box** and then into an electrical socket.

Notes.

- To check the battery status, rapidly press the trigger button twice and say after the long beep, "Check the battery status".
- **OrCam recommends using only the original OrCam charger provided.**
- **The device can charge when powered off, awake, and in Suspend mode. The device will wake up when charging in Suspend mode or powered off. When awake or in Suspend mode, the device will chime and announce it is charging. When powered off, the device will beep, and an orange light opposite the power button will light up for a few seconds, turning blue upon fully awakening.**
- **The OrCam Read charger supports 100-240 V, 50/60 Hz.**
- **OrCam recommends charging your device at least once a month if you do not use your device frequently.**

Get Familiar with OrCam Read.

Power Button.

The power button is an embossed, thin, oval-shaped button on the thin, long side of the device located near the charging inlet. The power button enables you to do the following:

Turn on **Your** OrCam Read.

1. Press the power button for about 2 seconds. Once you hear a beep sound you may let go of the power button.
2. The LED indicator on the thin side opposite the power button will turn orange as the device wakes up, and will turn blue upon fully awakening.
3. After about one minute you will hear a chime and then, "OrCam Read Version [xx] is ready. Battery is [xx] percent charged".

Note: If you did not hear the phrase, “OrCam Read is ready”, or you are not sure that OrCam Read is powered on, press the trigger button. If the device is powered on, you will hear an audio response.

Turn off **Your** OrCam Read.

1. Press the power button once. You will hear a beep and, “Suspending. Press again to shut down”.
2. Press the power button again. You will hear a beep and, “Shutting down, please wait”.
3. Just before the device shuts down, you will hear, “Power off. Bye bye”.

Enter Suspend **Mode**.

Suspend mode is a sleep mode that extends the device’s battery life while enabling you to awaken your device immediately.

1. Press the power button once.
2. You will hear a beep and, “Suspending. Press again to shut down”, and then “Suspended” as the device enters Suspend mode.

Exit Suspend **Mode**.

1. Press the power button once or press the trigger button once.
2. You will hear a beep and, “Waking up. Battery is [xx] percent charged”.

Automatic Suspend and Power off.

- OrCam Read automatically enters Suspend mode after three minutes of inactivity. This timeframe can be adjusted to a shorter or longer time in the audio settings menu.
- OrCam Read powers itself off after three hours in Suspend mode.

Note: When left dormant for the set "automatic suspend time", Suspend mode automatically begins and a small beep is played (no "**Suspended**" announcement will be heard), and will wake up when touched accompanied by a small beep (and not announce, "Waking up").

Enter Audio Settings Menu.

1. Press and hold down the power button.
2. Press either of the volume buttons.
3. Release the power button.
4. OrCam Read will announce, “Main menu. To set reading rate, press the trigger button; for other settings, press the volume buttons”.

Trigger Button.

The trigger button is an embossed, circle-shaped button that is located on the thin, long side of the device near the camera. You can do the following functions with the trigger button:

- Press the trigger button once to:
 - Select options in the audio settings menu.

- Take pictures of text to start text reading.
- Stop reading.
- Wake up from Suspend mode.
- Press and hold down the trigger button for up to 5 seconds to activate the laser indicators to start text reading.
- Rapidly press the trigger button twice to:
 - Pause and resume reading.
 - Exit the audio settings menu.
 - Start a vocal command session.

Volume Buttons.

The volume buttons are embossed plus and minus buttons that are located on the thin, long side of the device near the trigger button. You can do the following functions with the volume buttons:

- Press the plus (“+”) volume button to:
 - Raise the volume.
 - Skip to the next sentence when reading.
- Press the minus (“-”) volume button to:
 - Lower the volume.
 - Go back to the previous sentence when reading.
- Press both the plus and minus buttons to switch between laser pointer modes.
- Press either button to scroll through the options in the audio settings menu.

LED Indicators.

There are 4 LED lights next to the power button. Each light represents 25% of the available battery.

Connect to WiFi and Software Update.

OrCam Read can automatically update its software over WiFi. Connecting your OrCam Read to a WiFi network ensures that your device will install the latest software updates throughout the warranty period. **During the warranty period, these updates are free of charge and typically include software improvements for the device’s existing functionalities. They will not include new features that may be available in the future.** The device **must be** connected to the charger throughout the downloading process in order to receive the software updates.

To enable automatic software updates, make sure you are in a location with a WiFi network that you can access. You will need to know the WiFi network name and password, as well as connect your device to the charger, before beginning this process. Please note that OrCam Read only supports 2.4 **GHz** WiFi, not 5 **GHz** WiFi.

To connect to a WiFi network:

1. On your computer or smartphone:
 - a. Go to www.orcam.com/wifiset.
 - b. Follow the instructions on the screen to set your WiFi network.
 - c. A QR code will appear on the screen.
2. On your OrCam Read:
 - a. Connect OrCam Read to the charger.
 - b. Hold OrCam Read in front of the screen (computer screen about 12-16 in [30-40 cm]; smartphone screen about 6-8 in [15-20 cm]) in order to scan the QR code.
 - c. Read the QR code either using a vocal command or manually.
 - Rapidly press the trigger button twice and say after the long beep, “Read the QR code”.
 - Point OrCam Read at the OrCam Please command and the QR code on the screen. Press the trigger button.
 - d. OrCam Read will chime and make several beeps as it scans the QR code and connects to the WiFi network. It will announce when it is connected.

Once you have connected to your WiFi network, OrCam Read will check for software updates every time you connect it to the charger in the area of your WiFi network and automatically install the newest updates that are available in your locality.

Note: To check the status of your OrCam Read’s connectivity to the internet, rapidly press the trigger button twice and say after the long beep, “Check the internet connectivity”.

Bluetooth Connectivity.

Use Bluetooth to connect your OrCam Read to an external speaker or earphones.

1. On the speaker or the earphones:
 - a. Press the Bluetooth pairing button. You will receive an audio response from the speaker or earphones.
2. On your OrCam Read:
 - a. Do one of the following options:
 - Rapidly press the trigger button twice and say after the long beep, “Connect to the Bluetooth audio device”.
 - Use the mouse laser pointer to read the following command:
OrCam Please Connect to Bluetooth Audio Device
 - Enter the audio settings menu (visit [the “Settings” section](#) to learn how to enter the audio settings menu). Go to Connectivity Settings Menu, then to Bluetooth Settings Menu.
 - b. Select “To connect to a Bluetooth audio device, press the trigger button; for other settings, press the volume buttons”. OrCam Read will list all available Bluetooth devices.

- c. Press the volume buttons to scroll through the Bluetooth device options. Press the trigger button to select the device to which you want to connect.
- d. On some Bluetooth speakers or **earphones**, you will hear a “connected” announcement.

Features.

Reading with OrCam Read.

Reading with the Trigger Button.

1. Hold OrCam Read steady, directly facing the text, at a distance of about 6-14 inches (15-35 cm) away from the text. Make sure that the long side of the device with all of the buttons is facing upward.
2. There are two ways to read with the trigger button:
 - Press the trigger button once to take a picture of all text that is present.
 - To read more specific text, use the laser pointers.
 - i. Press and hold down the trigger button, which will activate the laser **indicator**; a border laser frame or mouse laser pointer will be projected onto the text.
 - ii. Adjust the border laser frame or mouse laser **pointer to capture** the desired text.
 - iii. Let go of the trigger button. You will then hear a camera shutter sound as OrCam Read takes a picture of the text.
3. OrCam Read will make several beeps as it processes the text. It will then begin reading the text and chime when finished reading.

Note: If your finger is not released before 5 seconds transpire, the camera will not activate.

Reading Navigation.

Easily navigate any text while reading.

- To pause reading, press the trigger button twice.
- To resume reading, press the trigger button twice.
- To skip to the next sentence, press on the plus (“+”) volume button once.
- To go back to the previous sentence, press on the minus (“-”) volume button once.
- To stop reading, press the trigger button once.
- When OrCam Read is finished reading, it will make a chime sound.

Multi-Language Reading.

You can read text in other languages (dependent on availability in your region).

- The reading language and system language (the language in which the device speaks to you) settings can be accessed in the audio settings menu.

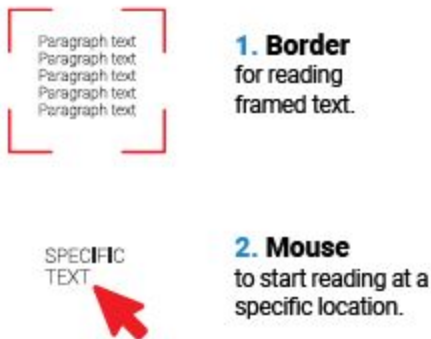
- To set the primary reading language and enable or disable automatic language detection, select the Reading Settings option.
- To change the system language to any of the available languages, select the System Language option.

Laser Pointer Modes.

The laser pointers are designed to help you focus your OrCam Read on any desired text. You can switch the laser pointer mode by pressing the plus and minus volume buttons at the same time. There are two laser pointer modes:

- “Border” for reading framed text.
- “Mouse” to start reading at a specific location.

Note: OrCam Read captures the selected text within 5 seconds of pressing and holding the trigger button. If your finger is not released before 5 seconds transpire, the camera will not activate.



OrCam Please Commands.

OrCam Please commands are written commands that can be used to easily set some settings and receive information. **OrCam Read will internally read the command and perform the intended action.**

The following **commands** can be used only when you are on the relevant OrCam website pages. **Press the trigger button to activate them.**

OrCam Please Read QR Code

Use this command along with the instructions to “[Connect to WiFi](#)” in this **manual** to connect your OrCam Read to the WiFi.

OrCam Please Set Zone and Time

Use this command along with the instructions to “[Set Zone and Time](#)” in this **manual** to set the timezone and time on your OrCam Read.

The following commands can be used at any time as long as you take a picture of these command-sentences using the mouse laser pointer.

OrCam Please Tell Build

Use this command to find out the software version of your OrCam Read.

OrCam Please Enter User Menu

Use this command to enter the audio settings menu of your OrCam Read.

OrCam Please Connect to Bluetooth Audio Device

Use this command to connect your OrCam Read to a Bluetooth audio device.

OrCam Please Tell Time

Use this **command to have** OrCam Read **announce the current** time.

OrCam Please Tell Date

Use this **command to have** OrCam Read **announce the current** date.

Vocal Commands.

OrCam vocal commands can be used to easily control your OrCam Read, change settings, and receive information.

To use them:

1. Rapidly press the trigger button twice. You will hear a long beep.
2. Say the vocal command. You will then hear a chime.
3. OrCam Read will then tell you the information, change the setting, or ask you to provide more **information to change the** setting.

Available Vocal Commands Based on Categories

HELP COMMANDS

- **“Help General”**
 - OrCam Read will list all of the available commands containing the word “Help”.
 - **You may also say, “General Help” or “Help Commands”.**
- **“Help Tell”**
 - OrCam Read will list all of the available commands **containing the word** “Tell”.
 - These commands will help you receive general information (such as the time or date) or information about the device (such as the software version or device serial number).
 - **You may also say, “Tell Help” or “Tell Commands”.**
- **“Help Settings”**
 - OrCam Read will list all of the available commands that will help you modify your device’s settings.

- You may also say, “Settings Help” or “Settings Commands”.
- **“Help Smart Reading”¹**
 - OrCam Read will list all of the available commands for the Smart Reading feature.
 - To learn all of the Smart Reading commands, visit the “Smart Reading” section of this user manual.
 - You may also say, “Smart Reading Help” or “Smart Reading Commands”.

TELL COMMANDS

- **“Tell the Date”**
 - OrCam Read will **announce the current** date.
- **“Tell the Time”**
 - OrCam Read will **announce the current** time.
- **“Tell the Build”**
 - OrCam Read will **announce your device’s** software version.
- **“Tell the Battery Status”**
 - OrCam Read will state the battery level as well as whether **your** device is currently charging or not.
- **“Tell the Device Serial Number”**
 - OrCam Read will state the external and internal IDs of **your** device.

SETTINGS COMMANDS

- **“Volume Up”**
 - OrCam Read will raise the device’s volume **one level**.
- **“Volume Down”**
 - OrCam Read will lower the device’s volume **one level**.
- **“Reading Speed Up”**
 - OrCam Read will now speak and read **at a faster rate**.
- **“Reading Speed Down”**
 - OrCam Read will now speak and read slower **at a slower rate**.
- **“Enter the User Menu”**
 - OrCam Read will enter the audio settings menu.
- **“Change the Voice”**
 - OrCam Read will **ask whether you** want to change the default system voice per language.
- **“Change the Auto Suspend Time”**
 - OrCam Read will ask you to choose the amount of time **the device should wait in an idle state before automatically going into Suspend** mode.
- **“Enable the Reading Navigation”**
 - OrCam Read will enable reading navigation, **which will allow you to pause, resume, fast forward, and rewind during reading**.
- **“Disable the Reading Navigation”**
 - OrCam Read will disable reading navigation.

¹ Only available upon purchase.

- **“Read the QR Code”**
 - Use this vocal command while trying to connect your OrCam Read to the internet. Refer to [Connect to WiFi](#) instructions.
- **“Enable the Auto Flash”**
 - OrCam Read will enable the automatic flash feature. **When enabled, OrCam MyEye will automatically flash its flashlight whenever it detects low lighting levels when trying to capture text.**
- **“Disable the Auto Flash”**
 - OrCam Read will disable the automatic flash feature.
- **“Connect to the Bluetooth Audio Device”**
 - OrCam Read will start the process to connect to a Bluetooth audio device.
- **“Check the Internet Connectivity”**
 - OrCam Read will state the status of its connectivity to the internet.

Smart Reading.²

The Smart Reading feature enables you to find specific information in any document faster than ever before. Whether you are reading a newspaper or a restaurant menu, you can now use vocal commands to find a word, headlines, dates, amounts, and more. **For Smart Reading to work, the System Language must be identical to the Reading Language, or Automatic Language Detection should be enabled.**

To activate this feature:

1. Hold the document in front of you with the camera directly facing the text, just as when reading any text with OrCam Read.
2. Rapidly press the trigger button twice and say after the long beep, “Smart Reading”.
3. Hold still while you hear the camera shutter sound.
4. Shortly after, the device will announce, “Ready”. It is now always listening. There is no need to subsequently press the trigger button twice before every vocal command.
5. Start retrieving the information you want by using the available vocal commands listed below.
6. If you wish to say a new command while the device is reading, press the trigger button once and the device will return to “Always Listening” mode.
7. There are 2 ways to exit this feature:
 - Say, “Exit”.
 - Press and hold down the trigger button for 5 seconds and release.
8. OrCam Read will say, “Exiting” as it exits the feature.

Full List of Smart Reading Vocal Commands

- **“Smart Reading”**
 - This command will have OrCam Read start the Smart Reading feature.
- **“Help”**

² Only available upon purchase.

- This command will have OrCam Read **list all the available commands for this feature.**
- **“Read everything”**
 - This command will have OrCam Read read everything within its field of view.
- **“Start from ‘X’”**
 - This command will have OrCam Read find the first instance of the word you spoke and start reading from the beginning of the sentence.
 - Note: “X” is a placeholder for the word you are searching.
- **“Jump to ‘X’”**
 - This command will have OrCam Read find the first instance of the word you spoke and start reading from the beginning of the sentence.
 - Note: “X” is a placeholder for the word you are searching.
- **“Find ‘X’”**
 - This command will have OrCam Read find every instance of the word you spoke and start reading from the beginning of each sentence found.
 - Note: “X” is a placeholder for the word you are searching.
- **“Read the dates”**
 - This command will have OrCam Read read every date found in the text.
- **“Read the phone numbers”**
 - This command will have OrCam Read read every phone number found in the text.
- **“Read the amounts”**
 - This command will have OrCam Read read every currency amount found in the text. The **currently** supported currencies are:
 - \$ Dollar currencies (including USD)
 - € Euro
 - £ British Pound
 - ¥ Japanese yen
- **“Previous”**
 - This command will have OrCam Read read the previous instance.
- **“Next”**
 - This command will have OrCam Read read the next instance.
- **“Repeat”**
 - This command will have OrCam Read repeat the last sentence.
- **“Read the headlines”**
 - This command will have OrCam Read find all headlines in the text and read them one after the other.
- **“Read article number X”**
 - After reading the **headlines**, speaking this command will have OrCam Read read whichever article number you requested.
 - **Note: “X” can be numbers 1 to 10.**
- **“Read the first article”**
 - After reading the **headlines**, speaking this command will have OrCam Read read whichever article number you requested.
 - **Note: This command can be used up to the tenth article.**

- **“Read the article about ‘X’”**
 - After reading the headlines, speaking this command will have OrCam Read find and read the article that contains the word you spoke.
 - Note: “X” is a placeholder for the word you are searching.
- **“Restart”**
 - Use this command to restart the Smart Reading feature whenever you want to re-scan the current page or scan a new page instead of manually exiting and re-entering the feature.
- **“Volume Up”**
 - OrCam Read will raise the device’s volume **one level**.
- **“Volume Down”**
 - OrCam Read will lower the device’s volume **one level**.
- **“Reading Speed Up”**
 - OrCam Read will now speak and read faster **at a faster rate**.
- **“Reading Speed Down”**
 - OrCam Read will now speak and read slower **at a slower rate**.
- **“Exit”**
 - This command will have OrCam Read exit the Smart Reading feature.

Set Zone and Time.

There are three ways to set the internal clock of your device:

- Go to the Time Set page on the website: www.orcam.com/timeset. Press the trigger button to read the “OrCam Please Set Zone and Time” command on the screen.
- Set the time manually through the audio settings menu.
- The time will automatically be set or updated when your device is connected to WiFi.

Tell the Time and Date.

- There are two ways to hear the current time:
 - Rapidly press the trigger button twice and say after the long beep, “Tell the time”.
 - Use the mouse laser pointer to read the following command:
OrCam Please Tell Time
- There are two ways to hear the day of the week and the date:
 - Rapidly press the trigger button twice and say after the long beep, “Tell the date”.
 - Use the mouse laser pointer to read the following command:
OrCam Please Tell Date
- After a few seconds, OrCam Read will **announce the current time and/or date**.

Tips.

- For best detection, ensure that the camera lens is directly facing the text with the long side of the device with all of the buttons facing upward, and the lens is not covered or dirty. The camera can only read text in its field of view.
- Make sure you do not move texts you would like OrCam Read to read while the device is taking a picture.
- Avoid taking pictures while walking or pointing at moving texts, as the device may not read properly.
- If you are having trouble keeping the text steady, a book holder is recommended.

For more tips, advice, and troubleshooting support, visit the OrCam User Area at: <https://www.orcam.com/en/read-user-area/>.

Settings.

Some of the OrCam Read features are disabled by default. It is best to go into the audio settings menu to enable these features should you choose to do so.

Audio Settings Menu.

You can customize your OrCam Read's settings via the audio settings menu.

- There are three ways to enter the audio settings menu:
 - Rapidly press the trigger button twice and say after the long beep, "Enter the user menu".
 - Press and hold down the power button, press any of the volume buttons, and then release the power button.
 - Use the mouse laser pointer to read the following command:
OrCam Please Enter User Menu
- While in the audio settings menu, follow the audio instructions to browse and select through the settings. Pressing the trigger button once confirms the selected option; pressing either of the volume buttons browses through the options. Rapidly pressing the trigger button twice either makes the device go back to the main menu or exits the audio settings menu.
- If you do not make a selection, the device will repeat the same message. If no action is made before 30 seconds transpire, the device will automatically exit the audio settings menu.

Audio Settings Menu Layout

- **Reading Rate Menu**

- This is how fast your device **speaks to you and** reads text. **Depending on the language, reading rates may vary between 80 and 520 words per minute.**
- **Volume Menu**
 - You may set the volume level between 1 **and** 10, with 1 being the **softest** setting and 10 being the **loudest** setting.
 - You may also set the volume outside of the audio settings menu at any time the device is awake yet not being used (not in Suspend mode) either using a vocal command or manually.
 - To increase the volume:
 - Rapidly press the trigger button twice and say after the long beep, “Volume up”.
 - Press the plus (“+”) volume button.
 - To decrease the volume:
 - Rapidly press the trigger button twice and say after the long beep, “Volume down”.
 - Press the minus (“-”) volume button.
 - OrCam Read will announce when you reach the minimum **or** maximum volume level.
- **Reading Settings Menu**
 - Set Date Format
 - You may change the date format between “month day year”, “day month year”, and “year month day”. **This is to ensure that the device will read dates properly in texts.**
 - Enable or Disable Reading Navigation
 - Reading navigation allows you to skip forward, backward, or pause while reading. You may enable or disable the feature here.
 - Enable or Disable Beeping when Paused during Reading
 - You may enable or disable beeping sounds when the device is paused during reading.
 - Set Reading Navigation Pause Time
 - Reading navigation pause time **determines how** long the reading is paused before it is cancelled. You may set the reading navigation pause time to between 30 seconds and 5 minutes.
- **Language Settings Menu**
 - System Language Menu
 - This is the language in which the device talks to you when making any system announcements.
 - You may change the system language to any of the installed languages on your OrCam Read.
 - Reading Language Menu
 - This is the language in which the device reads text to you.
 - You may change the reading language to any of the installed languages on your OrCam Read.

- Enabling this feature means that OrCam Read will announce “Suspended” and “Waking up” upon automatic suspension of the device and subsequently awakening the device.
 - Disabling this feature means that OrCam Read will make a double beep sound without announcing “Suspended” or “Waking up” upon automatic suspension of the device and subsequently awakening the device.
 - You may enable or disable the feature here.
- Reset User Settings
 - You will be able to reset all of the user settings back to the default settings. Any learned products or faces will be permanently deleted.
- Change Camera Light Compatibility
 - Here you may change the Flicker Rate to either 50 or 60 Hz depending on your region. It is recommended to choose the setting based on your location.
 - **If you do not know the Flicker Rate of your location, we recommend changing the country settings of your device in the Country Settings Menu.**
- Enable or Disable Light Conditions Notification
 - Light conditions notification will test if there isn't enough light for the device to work and tell you so.
 - You may enable or disable the feature here.
- Enable or Disable the Laser
 - The laser pointers, both the border laser frame and the mouse laser pointer, are designed to help you focus your OrCam Read on any desired text.
 - You may disable or enable the laser indicator light here.
- Enable or Disable Automatic Flash
 - Automatic flash will turn on the device lights in case you point or touch and there isn't enough light for the device to work.
 - You may enable or disable the feature here.
- Enable or Disable Vocal Commands
 - OrCam vocal commands can be used to easily control your OrCam Read, change settings, and receive information.
 - You may enable or disable the feature here.
- OrCam Contact Information
 - You can retrieve OrCam's contact information here.
- Reset Installation Retries
 - If you have failed to upgrade your device, this feature will allow you to reset your device in order to successfully upgrade without losing your learned data.
- Device Serial ID
 - You can retrieve the device's serial ID with this option.

- Version Information
 - You will hear the full version information of the device by selecting this option, including all supported languages and features.
- **Exit**

Mobile App.

You can now customize your OrCam Read's settings via the "OrCam Read" app, which is currently only available to iPhone or iPad users. To use the app, you will need to first connect your OrCam Read to your phone.

Installation.

To download the "OrCam Read" app, go to the App store on your iPhone or iPad. Search and download the "OrCam Read" app.

Pairing.

Make sure that your iPhone's Bluetooth mode is turned on before pairing your OrCam Read to the app. Follow the onscreen instructions while pairing the device (as provided below).

1. Position your OrCam Read near your iPhone or iPad in a vertical orientation with the camera facing the ceiling.
2. To get the confirmation code, enter your name and email.
3. A confirmation code will be sent to your email. Check your email and write the confirmation code within the "OrCam Read" app.
4. Read the Terms & Conditions. Once you have finished reading you may hit the Accept button.
5. Congratulations! Your OrCam Read is now paired with the "OrCam Read" app!

App Usage.

The main screen contains the following features:

- Battery Indicator - An image that shows the battery charge percentage of your OrCam Read. If voiceover is enabled on your iPhone or iPad, the app will tell you the battery charge percentage.
- Find Icon - If you lost or misplaced your OrCam Read while it is powered on and connected to the app, press this icon to make your device continuously beep. Press the icon again to stop the beeping.

- Learn Icon - Press this icon to access the OrCam Read tutorials from the OrCam website.
- Settings Icon - Press this icon to easily access, view, and change the settings of your OrCam Read through the app in real time instead of manually changing them on your device.
- Control Icon - Press this icon to access the remote control panel. The remote control panel contains the following icons:
 - Play/Pause Icon - Press this icon to have OrCam Read:
 - Start a reading session by taking a picture of the desired text.
 - Pause reading.
 - Resume reading.
 - Stop Icon - Press this icon to stop the reading session.
 - Fast Forward Icon - Press this icon to fast forward within the reading session.
 - Rewind Icon - Press this icon to rewind within the reading session.
 - Volume Bar - Move the volume bar to set the volume.

Terms and Conditions.

Your use of your OrCam device (the “Product”) is subject to the Terms and Conditions found at orcaml.com/terms-and-conditions. Your agreement to these Terms and Conditions is a condition to your use of the Product.

Please read the User Manual in full, including the important Safety Instructions, before using your OrCam device. Do not use your OrCam device until you have received in-person or online training by an authorized OrCam Trainer™ or OrCam Training Program.

OrCam can take no responsibility if the Product was used other than in accordance with the instructions in the User Manual. Products should not be relied upon in circumstances that are potentially life- or health-threatening or that could lead to financial loss. OrCam devices should especially never be relied upon to drive vehicles or operate heavy machinery of any kind.

OrCam shall not be responsible in the event that Products are used in such situations.

OrCam may receive information from third parties (i.e. Barcodes of Grocery Products in selected countries). OrCam received Barcode information from Barcodes of Grocery Products in Australia and New Zealand from GS1 Australia. OrCam accepts no responsibility for the accuracy of the information obtained from third parties.

Privacy.

OrCam thinks highly of your privacy and we are committed to protecting and safeguarding our clients’ and users’ personal information. Please read our Privacy Policy found at <https://www.orcam.com/privacy-policy/>, which describes how we process personal data regarding our clients and users in connection with services provided by us, our website, and the

OrCam Read mobile application (the “Services” and the “App”, respectively); the types of personal data we collect and process; to what purposes we use and process your personal data; how your personal data is protected; and with whom your personal data may be shared.

It is important for us to enable you to understand our privacy policy and your rights in connection with the personal data we hold about you. You should also be aware that we use cookies and similar technologies to collect and save information when you visit our website, available at www.orcam.com, to ensure that we give you the best possible experience. To learn more about the use of such technologies, please see our Cookie Policy at <https://www.orcam.com/en/cookies-policy/>.

If you feel that a concern you have in connection with your privacy has not been met by the Privacy Statement, please contact us at privacy@orcaml.com and let us know.

If you choose to download the App or use, interact with, register, or provide data to us in connection with the Services, you explicitly agree to the use of such data in accordance with this Privacy Statement. You may not use the Services or submit any data to us if you do not agree to any of the terms hereunder. This Privacy Statement shall not be construed in any manner to derogate from our Terms of Conditions or any other agreement made by and between OrCam and you.

Warranty.

Customer acknowledges that, other than as explicitly stated herein, OrCam does not make any representations or warranties to Customer regarding the Product, its functions or any images it produces.

The OrCam end-user limited product warranty (the “Limited Warranty”) covers the owner of an OrCam product against defects in material or workmanship at the time of its original purchase, for a subsequent period of one (1) year, and for any additional applicable legal warranty period. Original proof of purchase/delivery is required from the owner in order to obtain this coverage. OrCam will repair or replace, at its discretion, any product that is determined by OrCam to be covered under this Limited Warranty. OrCam will not be responsible for conditions arising as a result of intentional damage or misuse of the product. The owner is responsible for the costs of shipping the product to the location specified by OrCam.

This Limited Warranty is the sole and exclusive warranty applicable to OrCam products. No third party has the authority to make any representation, warranty, or agreement on behalf of OrCam with respect to OrCam products. No warranty of any kind or nature is made by OrCam beyond those expressly stated herein.

In no event shall OrCam be liable for any special, collateral, indirect, punitive, incidental, consequential, or exemplary damages in connection with or arising out of the use of the product. In no event shall OrCam’s liability exceed the price paid for the product.

Without limiting any provisions limiting liability under this agreement, the limited warranty set forth herein will not apply, and the owner will reimburse OrCam for any costs and expenses incurred in the event that:

- (i) the product has been used other than in accordance with the product documentation and terms of use or other written operating instructions provided by OrCam
- (ii) the product has been subject to tampering, misuse, negligence, or accident
- (iii) the product or parts identification labels have been removed or the product has been otherwise altered
- (iv) the product has been opened, modified, repaired, serviced, maintained, or altered by someone other than an authorized OrCam representative
- (v) the product has been combined with software, hardware, or other equipment not supplied by OrCam or not approved in writing by an authorized OrCam representative
- (vi) the product has been intentionally damaged or exposed to water, heat, or high voltage
- (vii) the product has been used by a person who has not completed training by an authorized OrCam Trainer™

Any parts replaced pursuant to this warranty will be under warranty for the remaining time of the original warranty period or for ninety (90) days from the date of repair, whichever is longer.

To register your device for warranty, please visit the warranty registration website:

<https://discover.orcam.com/warranty>.

If you believe that your product needs warranty support, contact support@orcaml.com. You will be responsible for shipping costs. However, if it is determined that the warranty request is valid, OrCam will pay the total cost of shipping the repaired or replaced product.

ORCAM DISCLAIMS ANY AND ALL WARRANTIES, WHETHER EXPRESSED OR IMPLIED, INCLUDING WITHOUT LIMITATION, THE IMPLIED WARRANTIES OF NON-INFRINGEMENT OF THIRD-PARTY RIGHTS, MERCHANTABILITY AND FITNESS FOR A PARTICULAR PURPOSE. ORCAM DOES NOT WARRANT THAT THE PRODUCT WILL BE **ERROR-FREE** OR **"BUG"-FREE**, WILL OPERATE WITHOUT INTERRUPTION, THAT ANY IMAGES OR SOUNDS PRODUCED BY THE PRODUCT WILL BE ACCURATE OR THAT THE OPERATION OF THE PRODUCT WILL BE SECURE AND HEREBY DISCLAIMS ANY AND ALL LIABILITY ON ACCOUNT THEREOF. THIS SECTION SHALL BE ENFORCEABLE TO THE FULLEST EXTENT ALLOWED BY APPLICABLE LAW.

Refund Policy.

You can return your undamaged device for a refund within the period required by local law or as agreed between you and OrCam at the time of purchase. Training fees are non-refundable. Please contact your local representative or OrCam Support to initiate a return process.

When you return the OrCam device, please follow OrCam Support instructions carefully. The device must be in the same condition that you received it and undamaged in any way. Your refund and how it is issued may differ based on how the device was purchased, its condition, and how long you've had the device.

OrCam will process your return only after the carrier has received your device and delivered to OrCam. It usually takes up to three weeks for OrCam to receive (for international shipping involving local customs it may take longer) and process your return. Once OrCam issues your refund, it may take additional time for your funds to be made available in your account by your financial institution. For credit card payments, it may take 5 to 10 business days.

If you have any questions, please feel free to contact the OrCam Support team.

FCC Compliance.

This equipment has been tested and found to comply with the limits for a Class B digital device, pursuant to Part 15 of the FCC rules. These limits are designed to provide reasonable protection against harmful interference in a residential installation. This equipment generates, uses, and can radiate radio frequency energy and, if not installed and used in accordance with the instructions, may cause harmful interference to radio communications. However, there is no guarantee that interference will not occur in a particular installation. If this equipment does cause harmful interference to radio or television reception, which can be determined by turning the equipment off and on, the user is encouraged to try to correct the interference by one or more of the following measures:

- Reorient or relocate the receiving antenna.
- Increase the separation between the equipment and receiver.
- Connect the equipment to an outlet on a circuit different from that to which the receiver is connected.
- Consult the dealer or an experienced radio/TV technician.

This device complies with Part 15 of the FCC Rules.

Operation is subject to the following two conditions:

- (1) This device may not cause harmful interference.
- (2) This device must accept any interference received, including interference that may cause undesired operation.

FCC Warning.

Modifications not expressly approved by the manufacturer could void the user authority to operate the equipment under FCC Rules.

NOTE: THE MANUFACTURER IS NOT RESPONSIBLE FOR ANY RADIO OR TV INTERFERENCE CAUSED BY UNAUTHORIZED MODIFICATIONS TO THIS EQUIPMENT. SUCH MODIFICATIONS COULD VOID THE USER'S AUTHORITY TO OPERATE THE EQUIPMENT.

EC	REP
----	-----

EU Authorized Representative for OrCam:

Arazy Group GmbH

The Squaire 12, Am Flughafen,
60549 Frankfurt am Main, Germany
Telephone Number: +49 69 95932-5090



Safety and Warnings.

Before using the OrCam device, read these precautions carefully to avoid dangerous situations and to ensure ideal performance of your device.

Handle your OrCam device with care. It can be damaged if dropped, burned, punctured, or crushed. Do not open the outer casing of the device.

The OrCam device is designed to work in ambient temperatures between 32°F and 104°F (0°C and 40°C) and in normal conditions (Relative Humidity of 10% to 90% RH and Atmospheric Pressure of up to 2000m above sea level (700hPa)). The device can be damaged if used outside of this range. Store and transport in a cool, dry place (32°F to 104°F (0°C to 40°C) and Relative Humidity of 5% to 90% and atmospheric pressure of 700hPa to 1060hPa)). The OrCam device is **water-resistant** but not waterproof. This means the device can withstand light rain or drizzle for short periods of time, although it is not recommended. Do not use the OrCam device in heavy rain, at the beach or swimming pool, or in or near a bathtub or shower. Do not submerge the OrCam device in any liquid. The OrCam device meets the standards of IP Code: IP22.

Should you have a problem operating the OrCam device, if the case or lens is cracked, or if you believe there is something wrong with the device, please contact support and do not attempt to repair it by yourself. Only qualified OrCam personnel may repair or service your device.

Unauthorized repairs may void your warranty.

Do not attempt to replace the battery; you may damage it, which could cause overheating and even injury. The battery is designed to last for two years of average use (one charging cycle per day on average) after which it may need to be replaced. Use only the charger supplied with your OrCam device. Using another charger may void your warranty and could cause severe injury.

Do not force a connector into a port or apply excessive pressure to a button. This may cause damage that is not covered under the warranty. If a connector does not insert easily, check for obstructions in the port and verify that you have the correct connector for that port. Do not combine with software, hardware, or other equipment not supplied by OrCam. Exposing the device to magnetic fields may damage the unit or erase your data.

When using the OrCam device or charging the battery, it is normal for the device to get warm. If the unit becomes excessively hot, leaks, or gives off a burning smell, turn the device off immediately and contact OrCam Support. If you have specific questions about use alongside an

internal pacemaker and/or defibrillator, please consult your medical professional. Do not use the OrCam device to read medication labeling.

Cleaning.

Clean your device if you feel it is dirty or transferred between users. Never touch the camera lens with your finger. Clean the lens only with the supplied microfiber cloth and eyeglass cleaning fluid. Do not use any abrasive materials. Do not expose the device to chemicals, such as household cleaners, aerosol sprays, solvents, alcohol, or ammonia. If you experience an allergic reaction to any of the elements of the OrCam device, contact a medical professional.

Max output of laser radiation : 0.371 mW
Emitted wavelength : 635 nm
Name of the standard : IEC 60825-1

