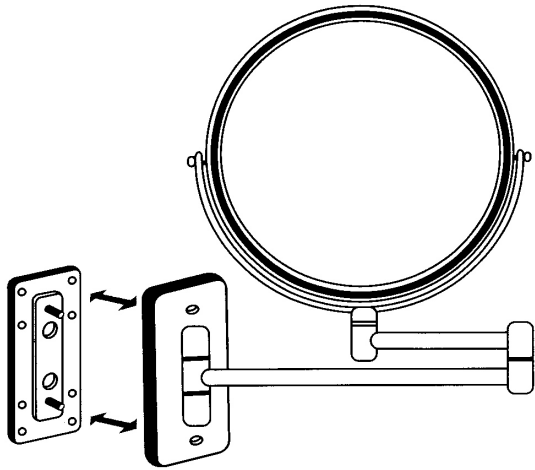


Mounting Instructions

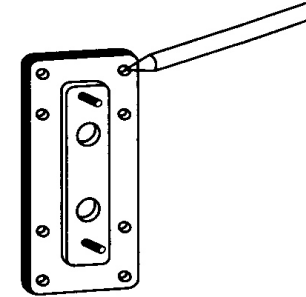
Model # OVW38, OVW45, OVW48, OVW88, OVW98

IMPORTANT
Check the intended wall location for structural integrity.
Not recommended for mounting directly into drywall.
Mount mirror on a structural wall material that is solid such
as wall stud or use enclosed wall anchors.



STEP ONE

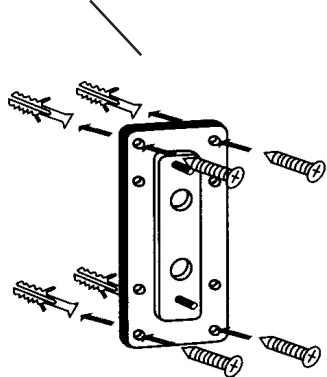
Determine appropriate location and height.



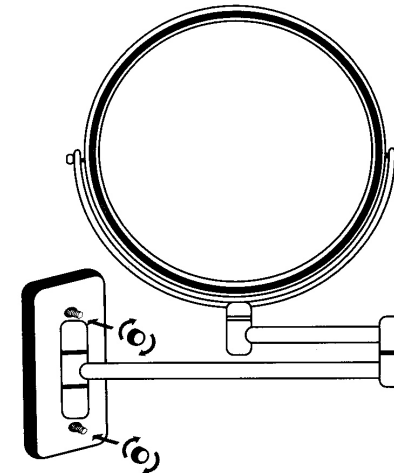
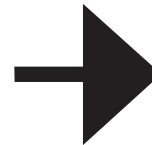
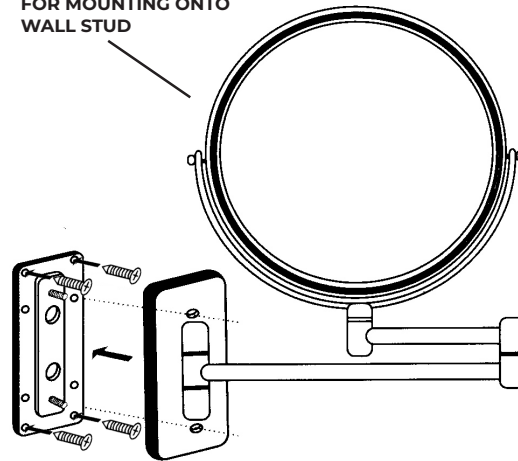
STEP TWO

Using mounting plate as template, locate position for holes on wall and mark.

WHEN USING ANCHOR



FOR MOUNTING ONTO WALL STUD



STEP THREE

- When using anchors pre-drill 6mm (1/4") holes 3mm (1/8") deep and insert anchors. Holding anchor plate in position, thread screws through mounting plate into wall anchors and tighten.
- For mounting onto wall stud, hold mounting plate into position, thread screws through mounting plate and tighten.

STEP FOUR

Place holes on base over screws. Attach thumb nuts to screws and tighten until secure.

ZADRO®

Zadro, Inc.®
Huntington Beach, CA
(714) 892-9200
ZadroInc@ZadroInc.com
ZadroInc.com

Rev. 11092023